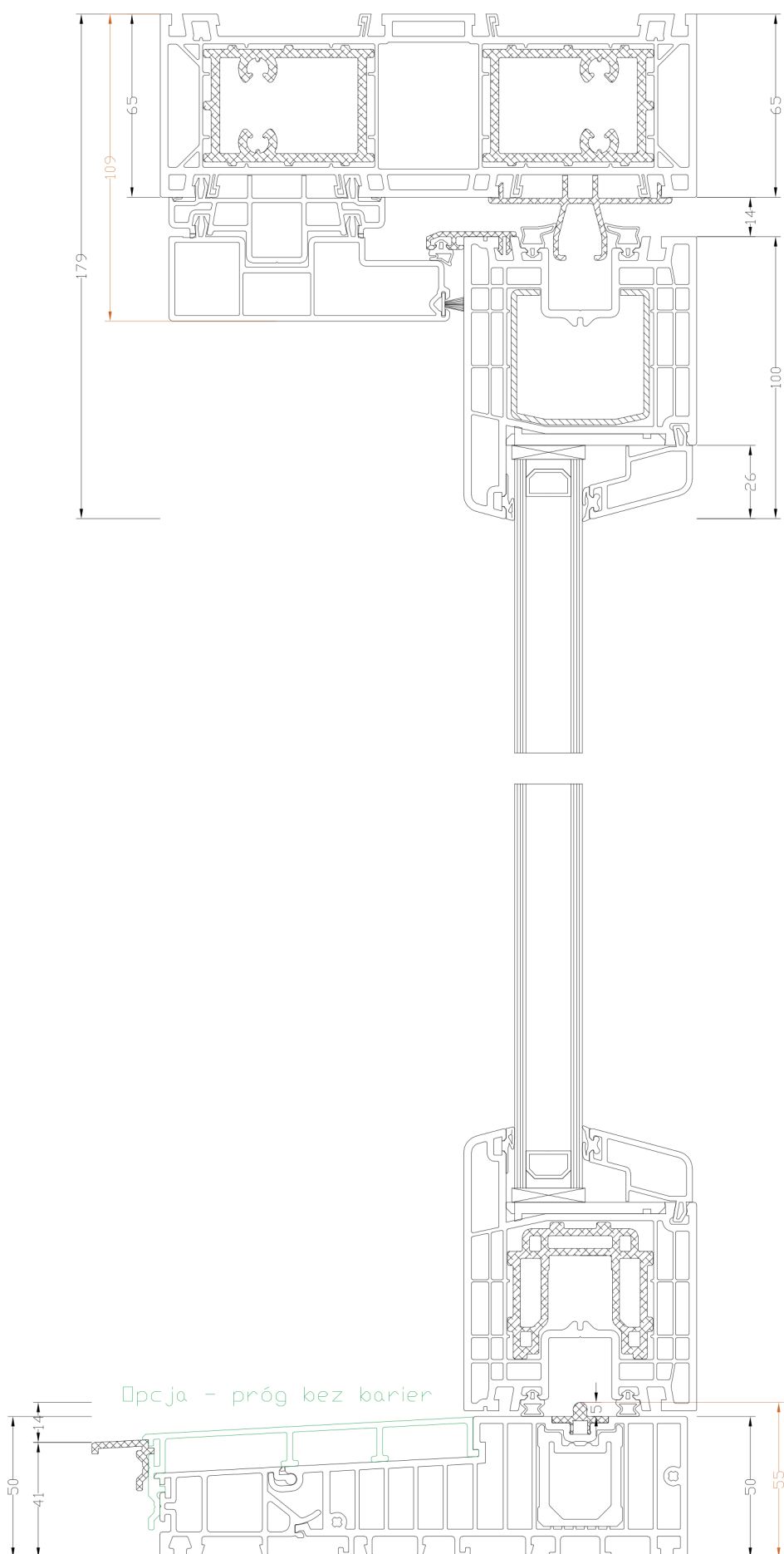


# ENERGO 82 / HST GEALAN 9000 - próg bez barier



# ENERGO 82 / HST GEALAN 9000 próg ECO PASS B190

